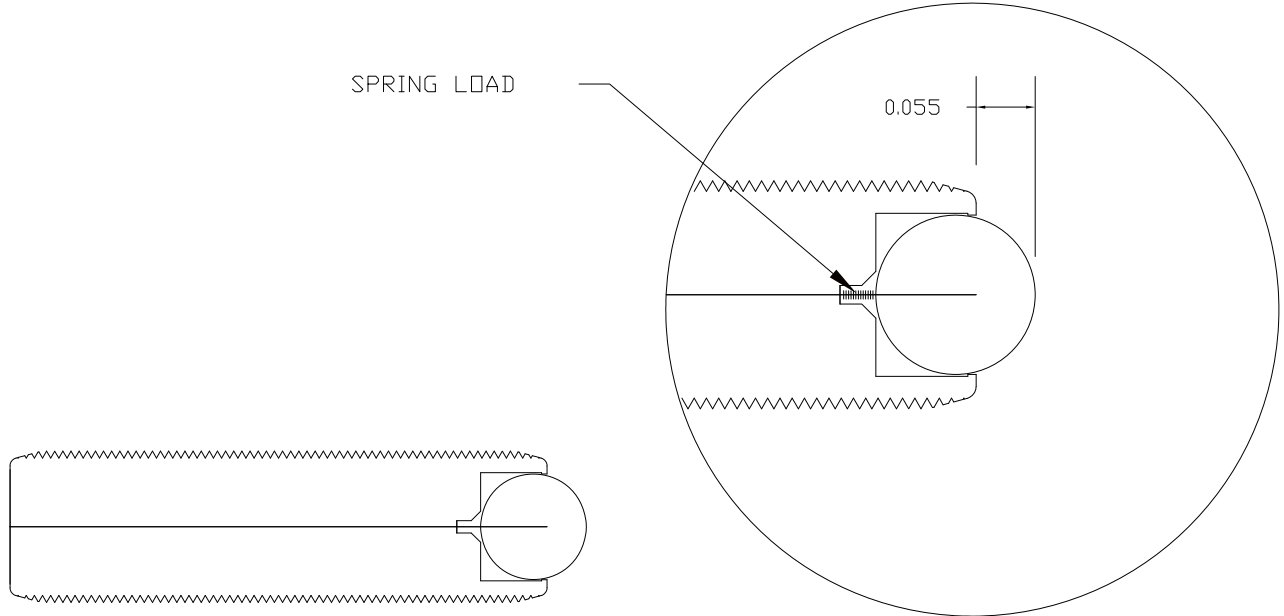


FNAME

REVDATE

USER

REVISIONS			
ZONE	REV	DESCRIPTION	



DEVELOPED BY KOZAK PRECISION PRODUCTS
 193 FRANKLIN ROAD
 DATE: 6/25/08

KOZAK PRECISION PRODUCTS			
APPROVED BY G K			
SIZE	FSCM NO.	DWG NO.	REV
		1	
SCALE			SHEET